



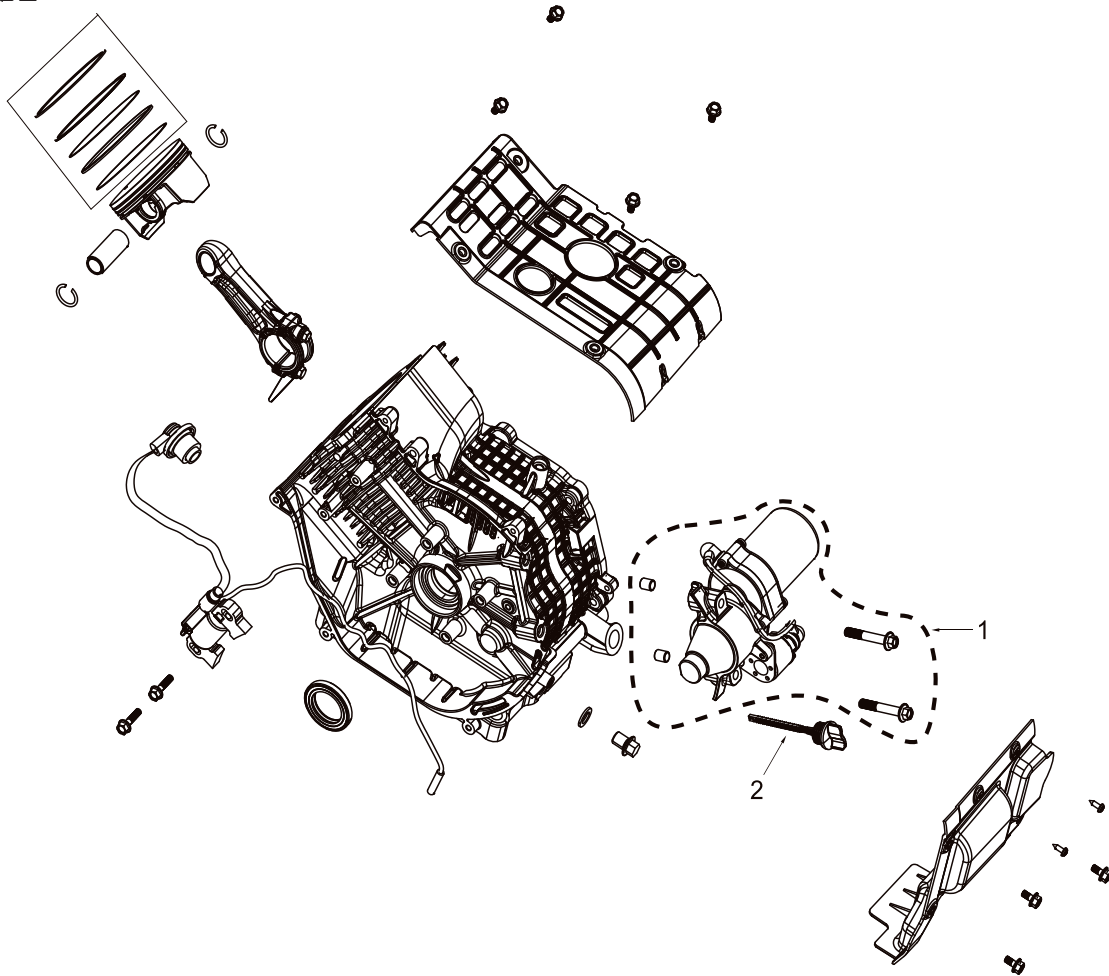
PARTS BREAKDOWN

INVERTER GENERATOR

MODEL: PA-GI10500T

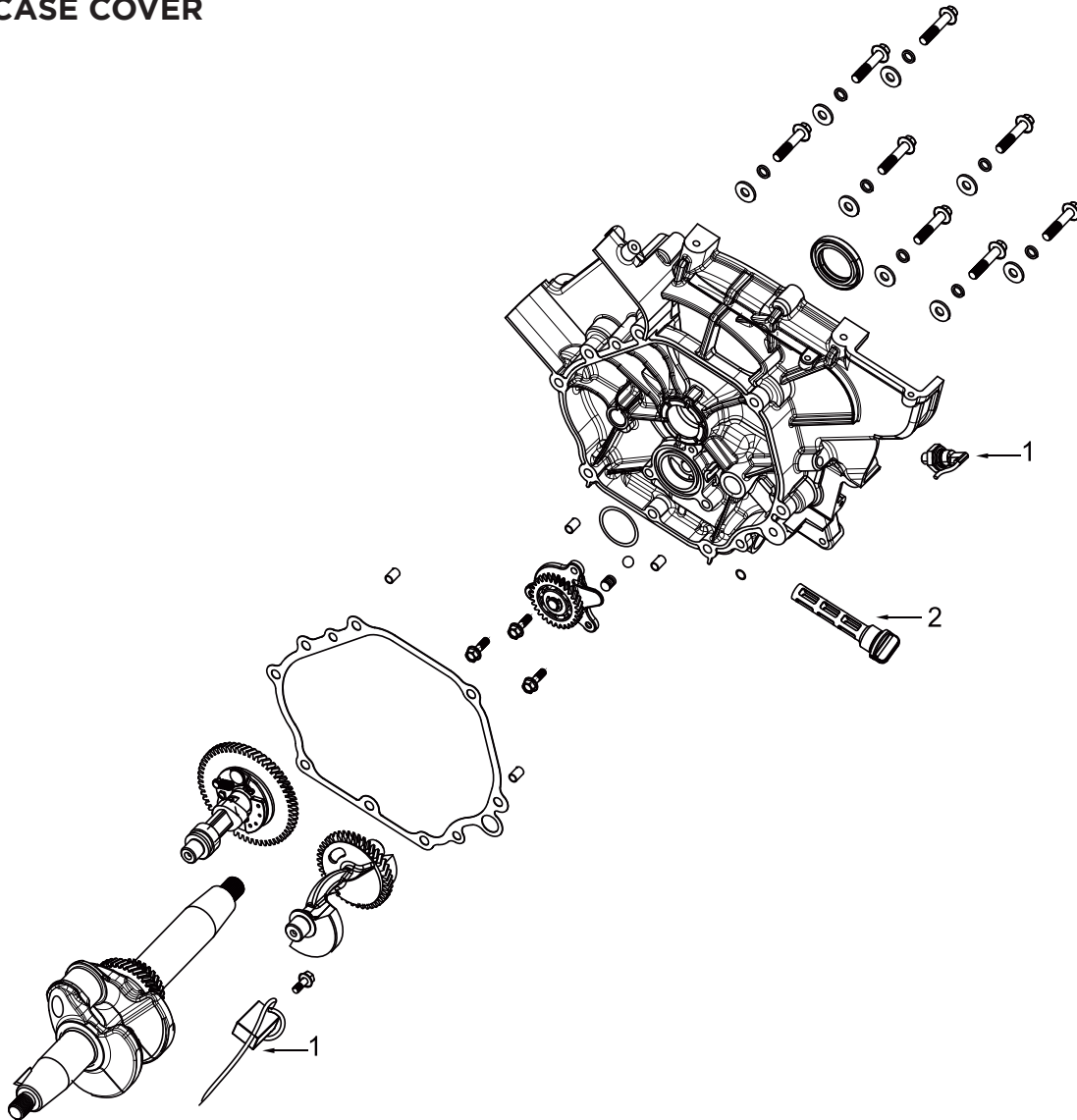


CRANKCASE



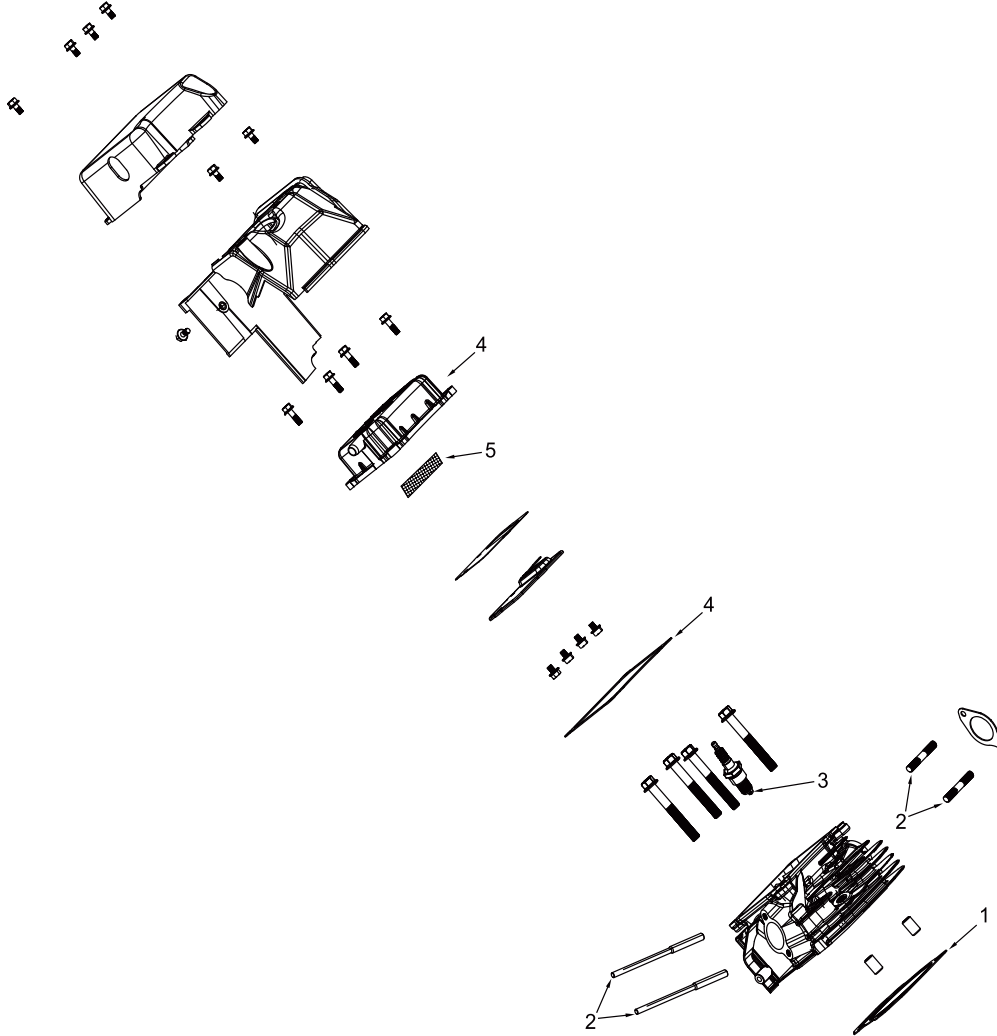
REF #	DESCRIPTION	QTY	PART #
1	MOTOR STARTER	1	PA-P85561034
2	OIL DIPSTICK	1	PA-P85561040

CRANKCASE COVER



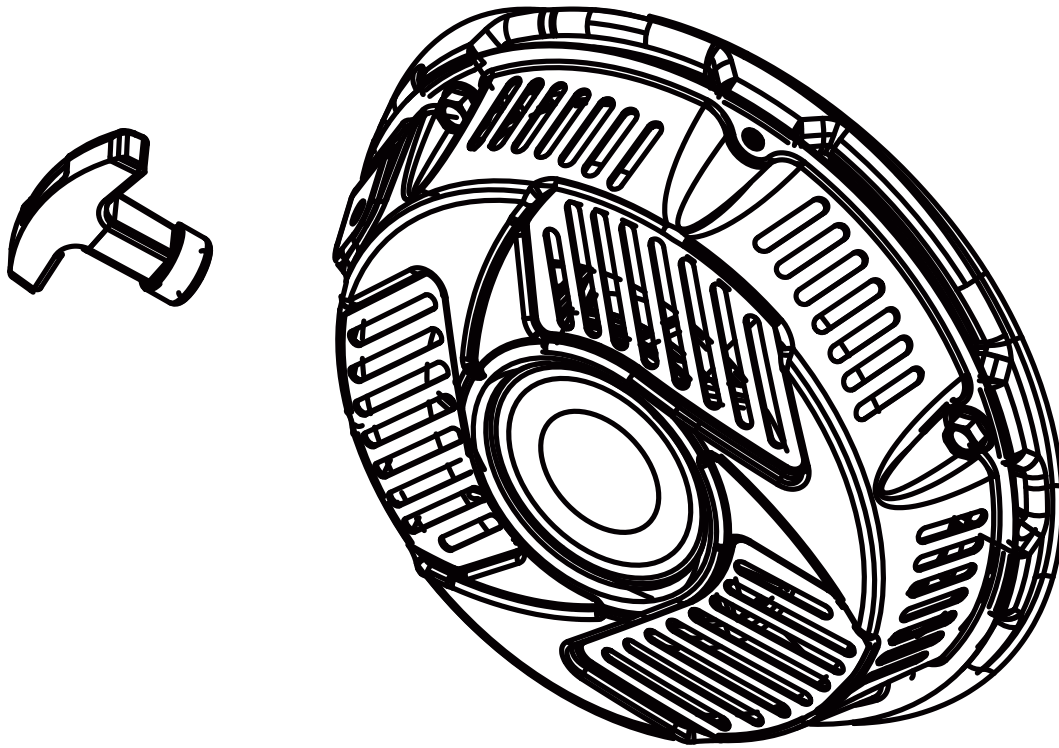
REF #	DESCRIPTION	QTY	PART #
1	OIL ALARM MODULE	1	PA-P85561129
2	OIL FILTER PLUG	1	PA-P85561042

CYLINDER HEAD PARTS



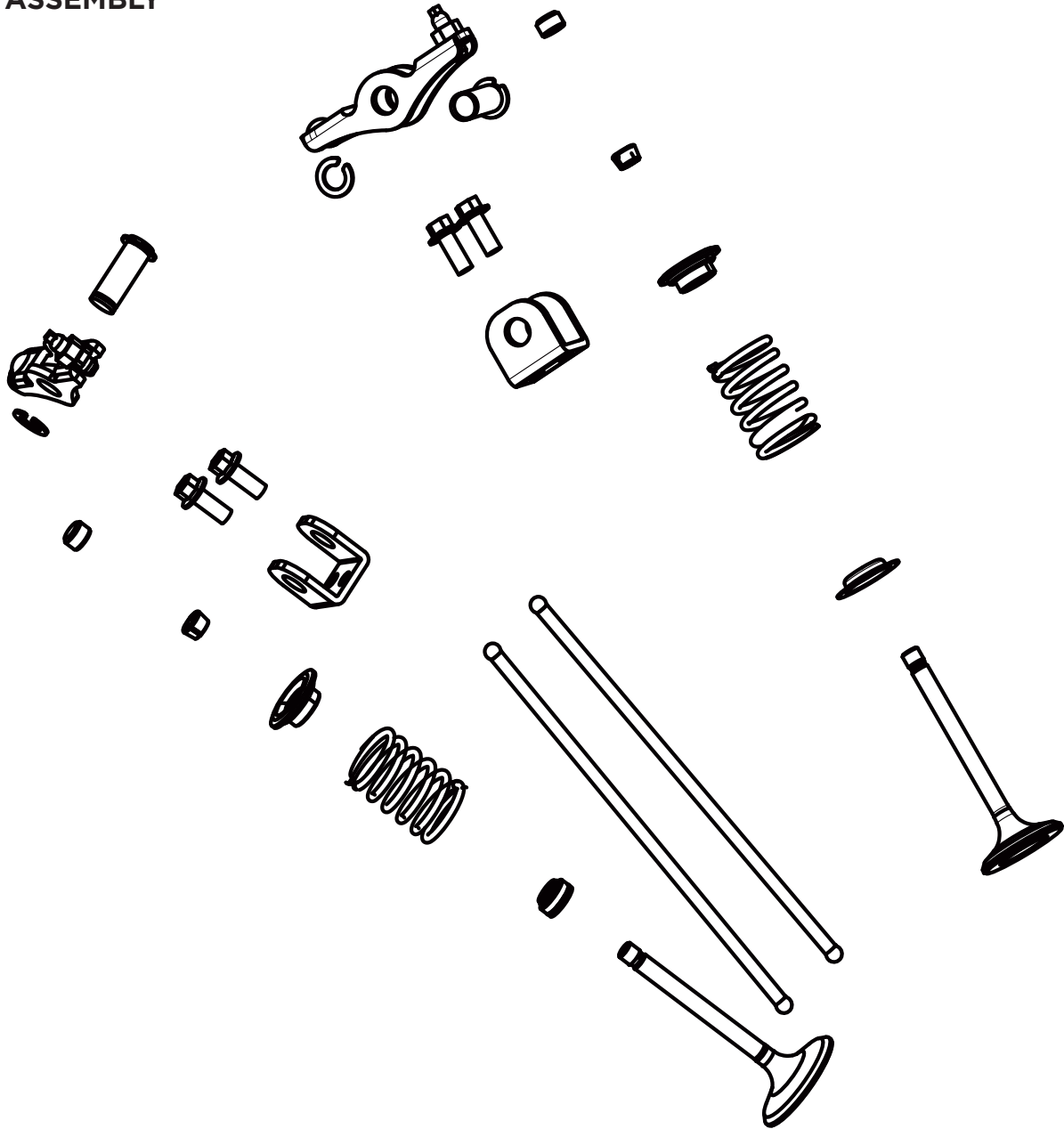
REF #	DESCRIPTION	QTY	PART #
1	CYLINDER HEAD GASKET	1	PA-P85561130
2	BOLT	4	PA-P85561125
3	SPARK PLUG	1	PA-P85561115
4	CYLINDER HEAD COVER PAD	1	PA-P85561094
5	OIL CONDENSER	1	PA-P85561096

ENGINE STARTER



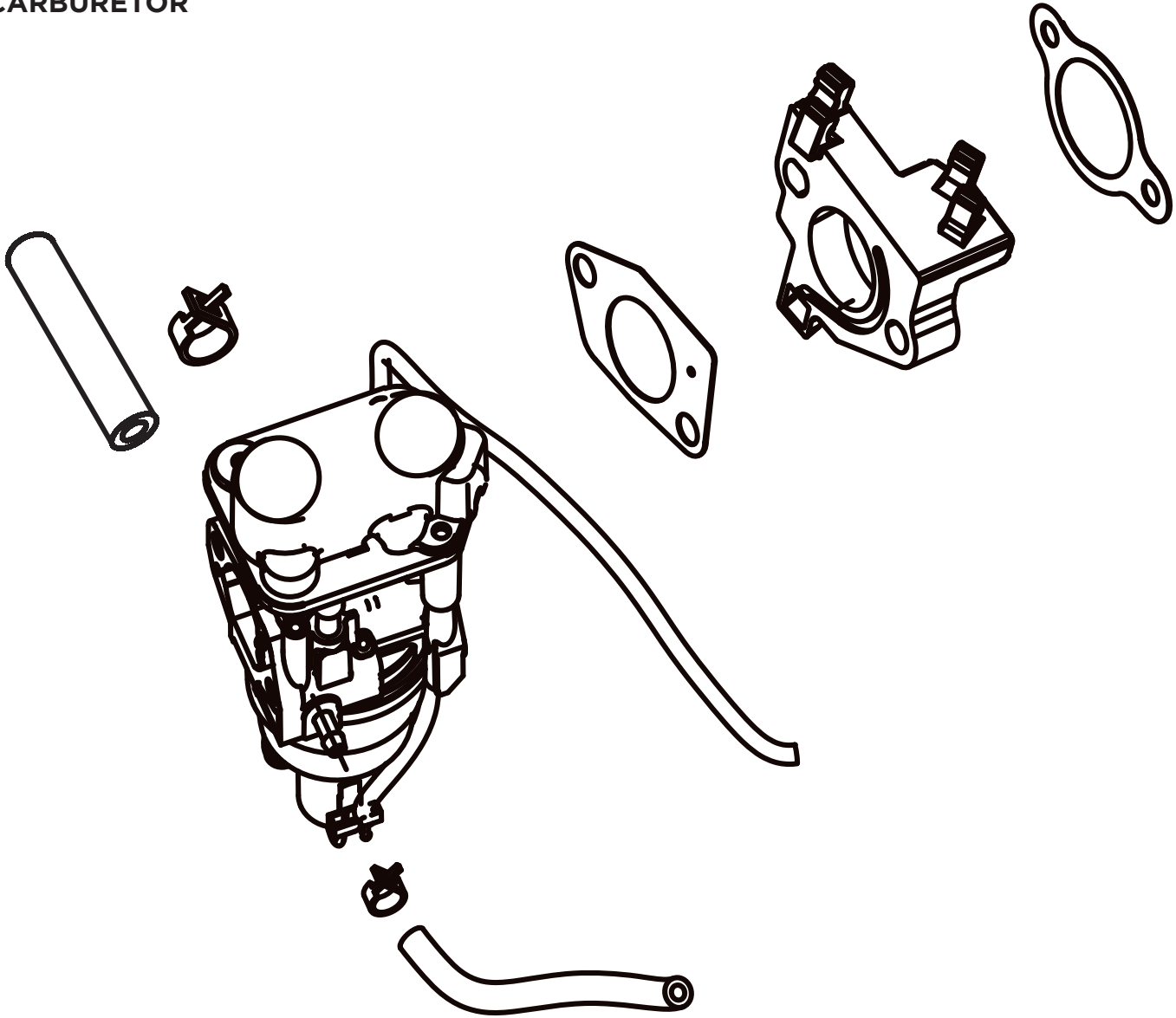
REF #	DESCRIPTION	QTY	PART #
1	RECOIL STARTER	1	PA-P85561020

VALVE ASSEMBLY



REF #	DESCRIPTION	QTY	PART #
1	VALVE ASSEMBLY	1	PA-P85561126

CARBURETOR



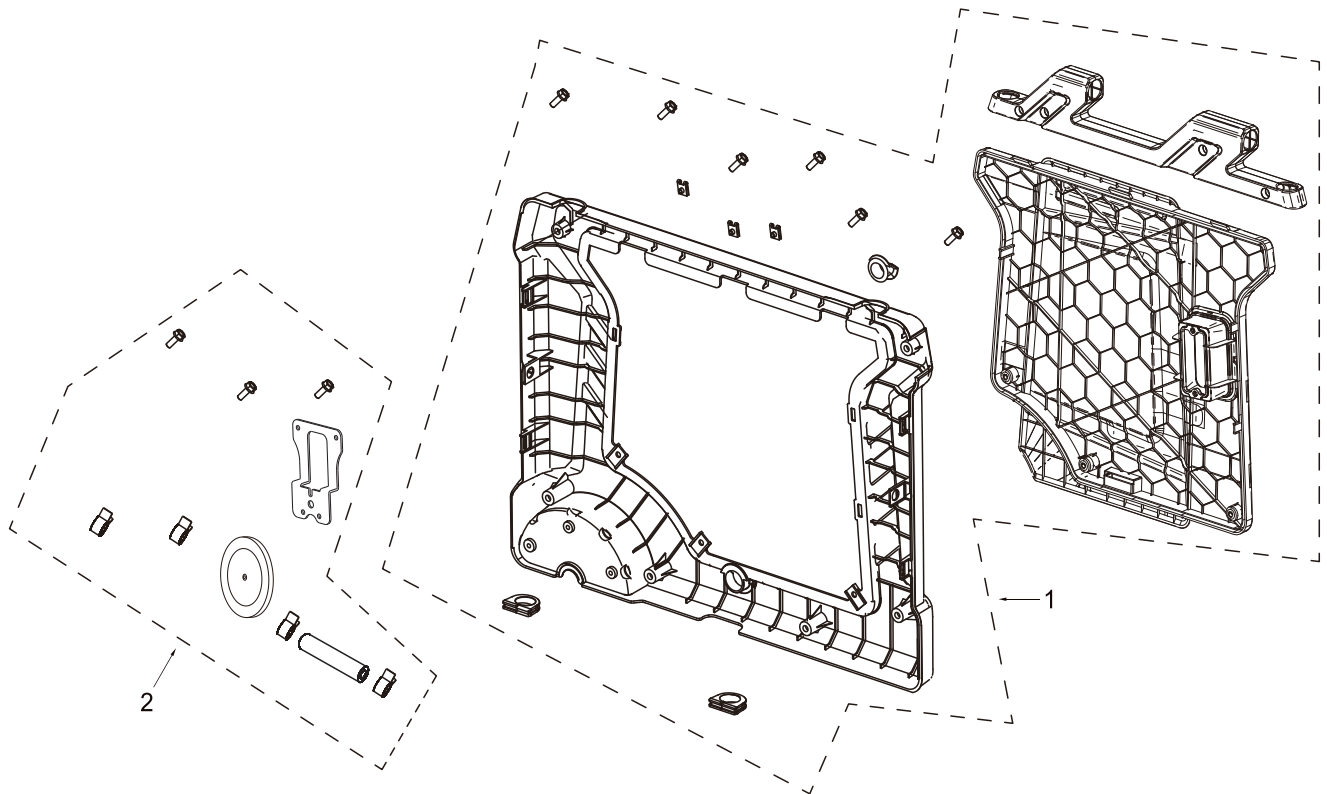
REF #	DESCRIPTION	QTY	PART #
1	CARBURETOR ASSEMBLY	1	PA-P85561035

AIR CLEANER



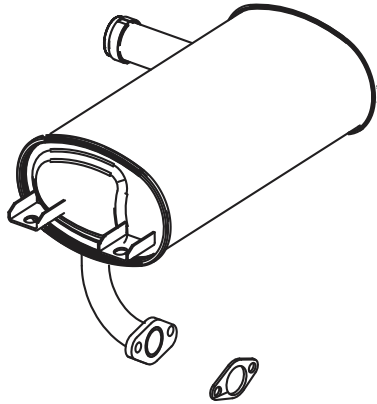
REF #	DESCRIPTION	QTY	PART #
2	AIR CLEANER ASSEMBLY	1	PA-P85561036

RIGHT HOUSING



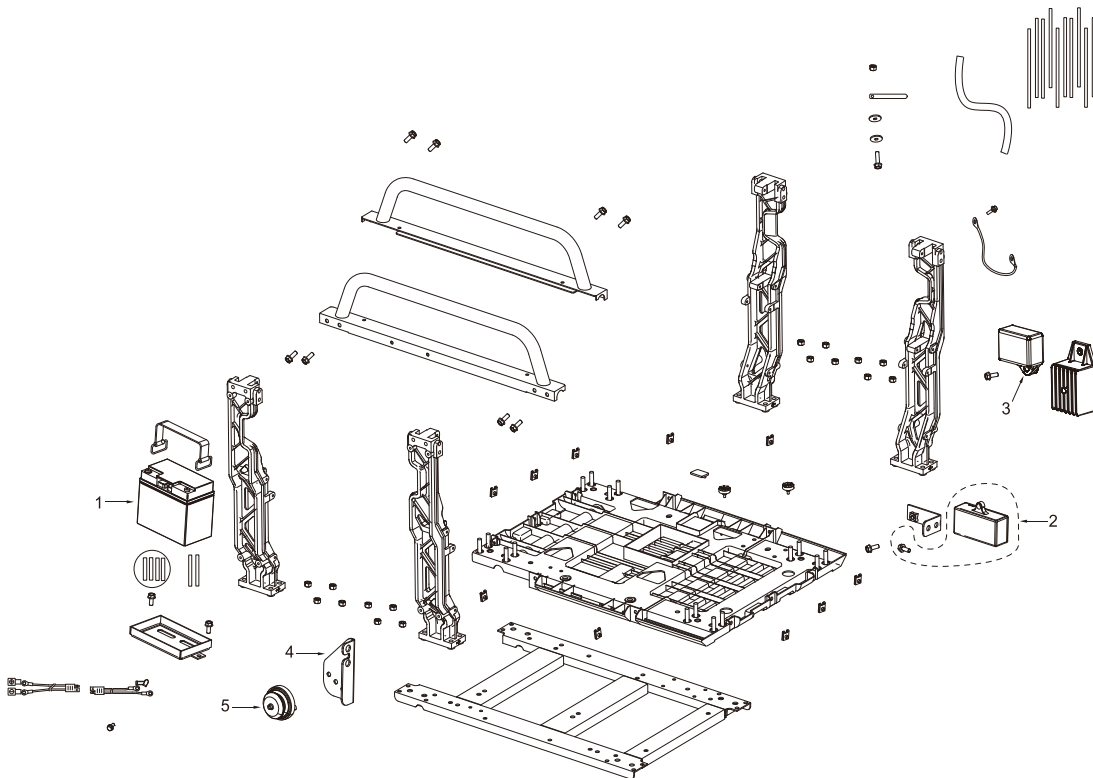
REF #	DESCRIPTION	QTY	PART #
1	EXTERIOR RIGHT COVER	1	PA-P85561127
2	PRESSURE REDUCING VALVE	1	PA-P85561074

MUFFLER ASSEMBLY



REF #	DESCRIPTION	QTY	PART #
1	MUFFLER ASSEMBLY	1	PA-P85561128

FRAME



REF #	DESCRIPTION	QTY	PART #
1	LITHIUM BATTERY	1	PA-P85561032
2	CO ALARM	1	PA-P85561006
3	SPEED GOVERNOR	1	PA-P85561041
4	PRIMER MOUNTING PLATE	1	PA-P85561075
5	COLD WEATHER PRIMER PUMP	1	PA-P85561005

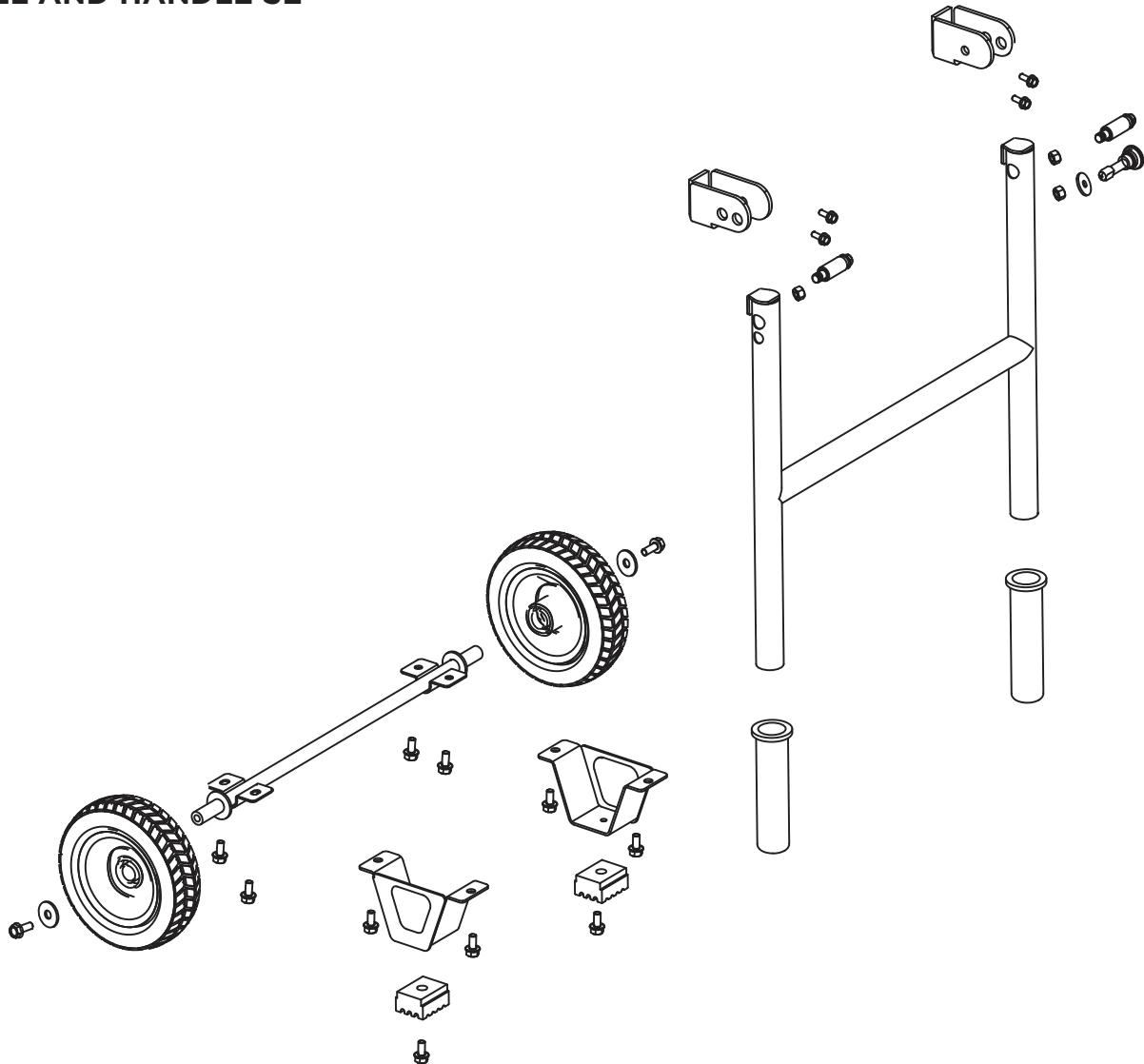


PARTS BREAKDOWN

INVERTER GENERATOR

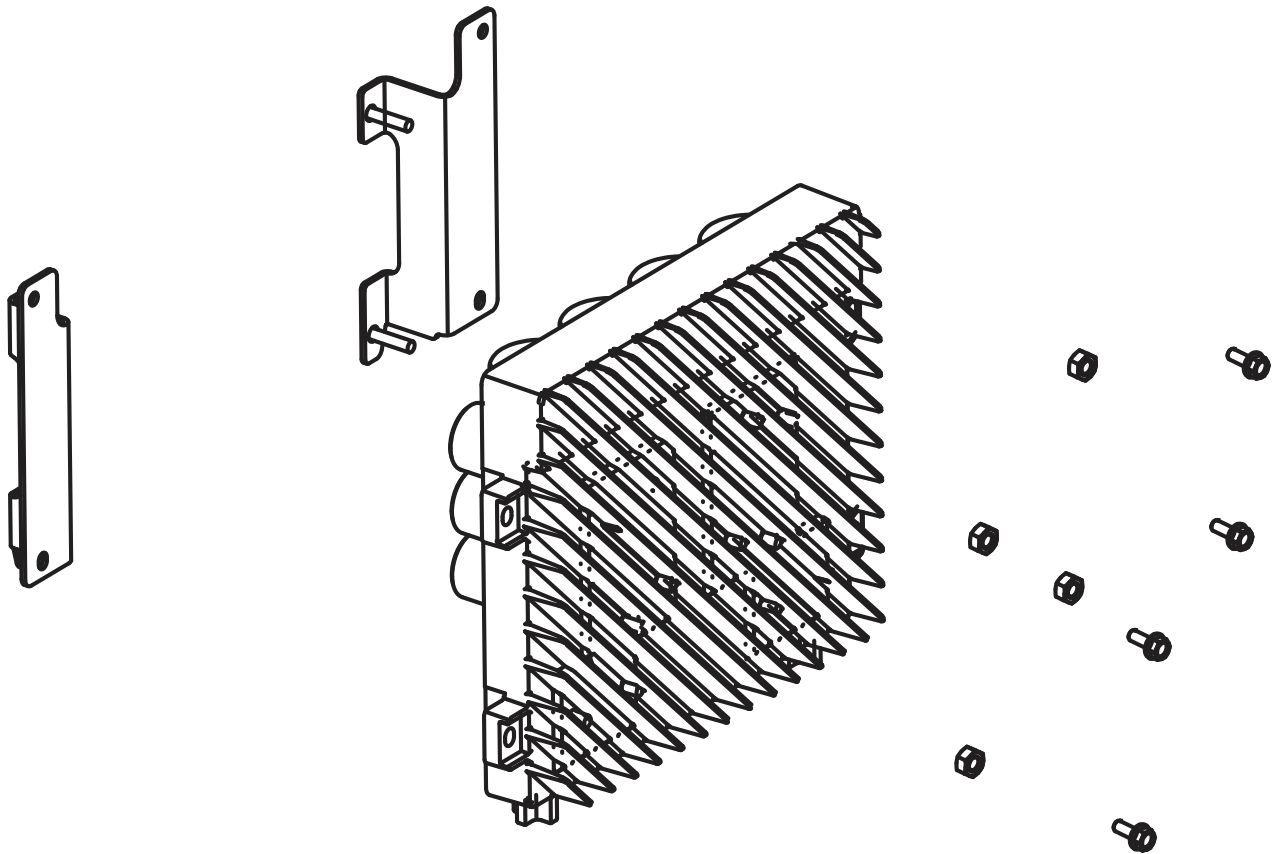
MODEL: PA-GI10500T

WHEEL AND HANDLE SET



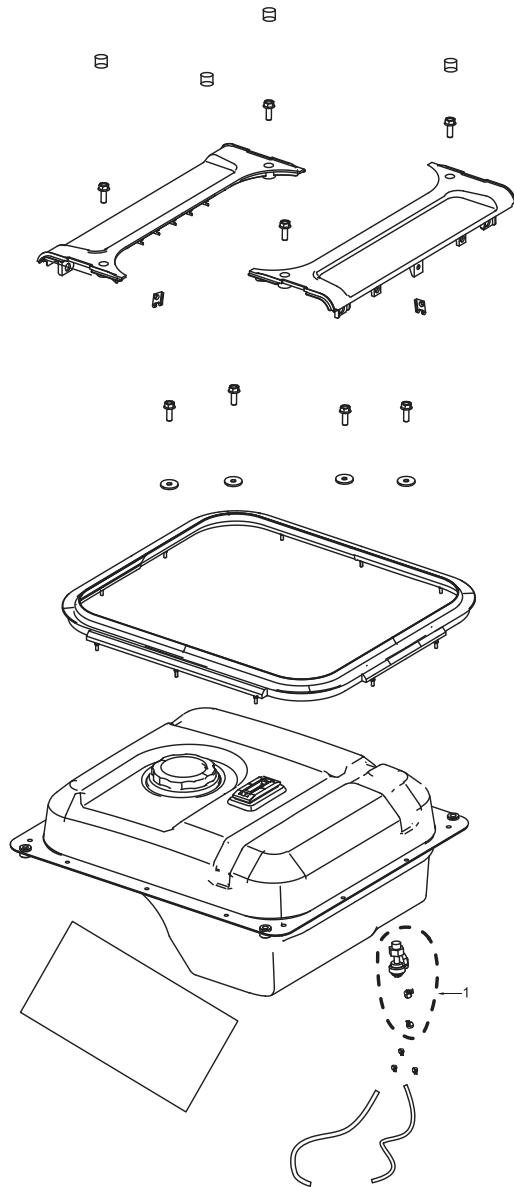
REF #	DESCRIPTION	QTY	PART #
1	WHEEL AND HANDLE SET	1	PA-P85561076

INVERTER ASSEMBLY



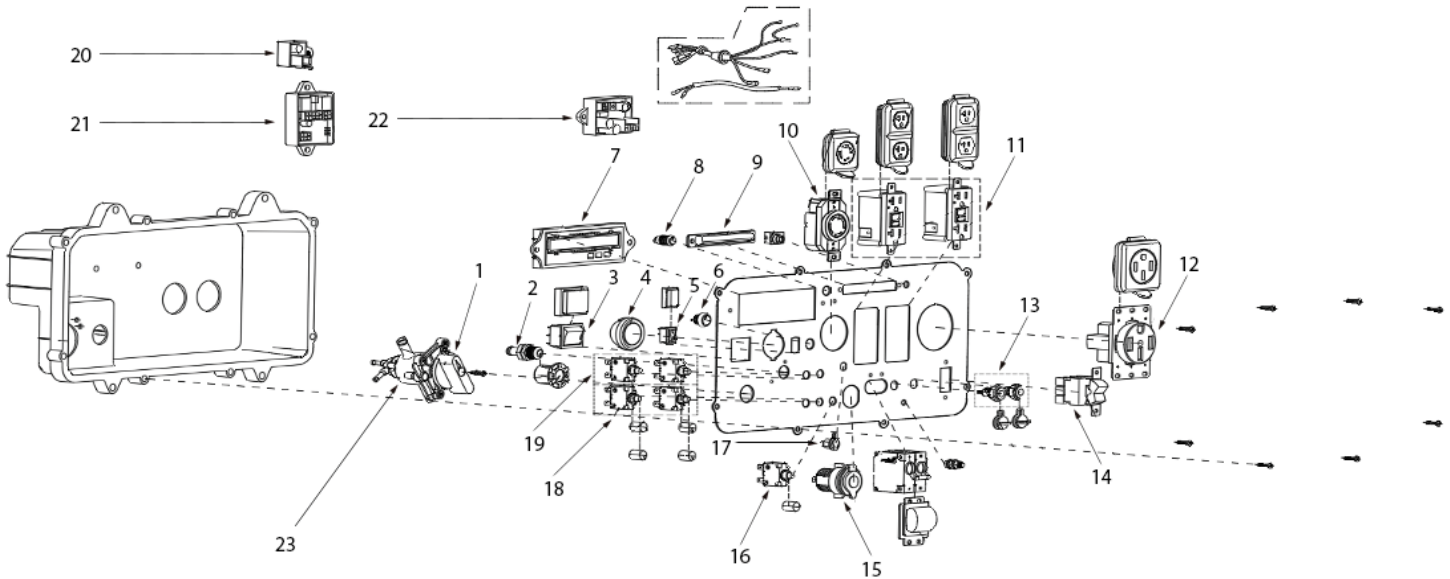
REF #	DESCRIPTION	QTY	PART #
1	INVERTER MOUNTING HARDWARE	1	PA-P85561077

FUEL TANK COMPONENTS



REF #	DESCRIPTION	QTY	PART #
1	FUEL TANK SWITCH	1	PA-P85561078

CONTROL PANEL



REF #	DESCRIPTION	QTY	PART #
1	FUEL SELECTOR SWITCH KNOB	1	PA-P85561173
2	NG/LPG INTAKE CONNECTION	1	PA-P85561174
3	ENGINE SWITCH	1	PA-P85561154
4	ONE-CLICK START SWITCH	1	PA-P85561158
5	IDLE SWITCH	1	PA-P85561153
6	RESET SWITCH	1	PA-P85561165
7	MULTIFUNCTIONAL DIGITAL DISPLAY	1	PA-P85561178
8	LED SWITCH	1	PA-P85561136
9	LED LIGHT	1	PA-P85561155
10	AC RECEPTACLE AC125V250V/30A	1	PA-P85561145
11	AC RECEPTACLE(GFCI) AC125V/20A	2	PA-P85561146
12	AC RECEPTACLE AC125V250V/50A	1	PA-P8556162
13	PARALLEL SOCKET	2	PA-P85561166
14	VOLTAGE SELECTOR SWITCH	1	PA-P8556143
15	DC12V	1	PA-P85561148
16	DC THERMAL PROTECTION 8A	1	PA-P85561147
17	BATTERY CHARGER	1	PA-P85561157
18	PROTECTOR 20A	2	PA-P85561141
19	PROTECTOR 30A	2	PA-P85561149
20	DC08	1	PA-P85561142
21	ONE-CLICK START MODULE	1	PA-P85561160
22	EC1603	1	PA-P85561175
23	TRI-FUEL SELECTOR SWITCH	1	PA-P85561176

patron[®]

If you need technical assistance call:

1-800-818-1199

(8:00am - 4:30pm PST, Mon - Fri)